

**AXL**

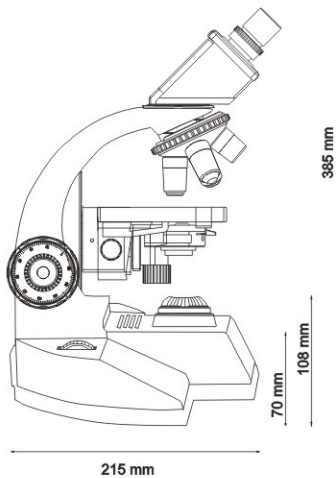
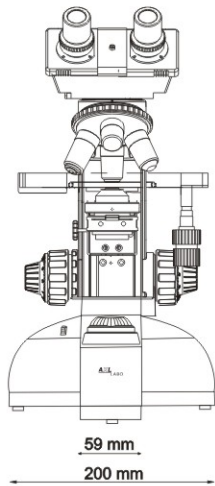
Lab Microscopy Solutions



**LABO®**

**Worlds Within™**

## SPECIFICATIONS



STAND	C shaped, corrosion resistant, Anti mould treated stand with modular base
NOSEPIECE	Quintuple, Revolving nosepiece, with rubber grip
VIEWING BODIES	45° Inclined Binocular / Monocular / Dual View tubes, 360° rotatable, IPD 55-75 mm and dioptic adjustment
MECHANICAL STAGE	Double Plate 142mm×133mm. X-Y travel 76mm×50mm, spring clip Double Slide holder
CONDENSER	Movable ABBE condenser, with aspheric lens NA 1.25 , daylight blue filter & Iris diaphragm
FOCUSING SYSTEM	Ergonomic low position co-axial coarse and fine focusing system on ball bearing guideways. Tension adjustment ring and Auto Focus provided
ILLUMINATION	Detachable Illumination, 6V 20W Halogen Lamp, with Universal Power Supply 100 V to 240 V, AC 50-60 Hertz, CE Compliant. Optional 110 V/220 V transformer
EYEPIECES	WF 10X/18mm with Eye-guards. Anti Mould Treated. Optional WF 15x/16mm, WF 20x/12mm
OBJECTIVES	BJ series Semi Plan Achromatic, Anti Mould Treated, 4x/NA 0.10, 10x/NA 0.25, 40x/NA 0.65 SL, 100x/NA 1.25 SL, Oil. Optional 20x/ NA 0.40 SL, 60x/NA 0.85 SL
ACCESSORIES	Polarizing Kit, Phase Contrast Kit, ½" Video Adapter for use with Dual View Tube, Cord Hanger Kit, Plano Concave Reflector Mirror, LED illumination system



[www.labomicrosystems.com](http://www.labomicrosystems.com)

USA Facility:  
**LABO Microsystems**  
 6960-A Camino Maquiladora  
 San Diego, CA 92154, USA.  
 Tel : +1 604 944 0622, Fax: +1 604 608 3225  
 Tel Toll Free USA/Canada 1 877 650 0117  
 E-mail: [sales@labomicrosystems.us](mailto:sales@labomicrosystems.us)

German Facility:  
**LABO Microsystems GmbH**  
 Bäckerstrasse 5  
 21244 Buchholz, Germany  
 Tel: + 49 4181 9906360  
 Fax: + 49 4181 9906369  
 E-mail: [hq@labomicrosystems.com](mailto:hq@labomicrosystems.com)

Global Sales:  
**LABO Microsystems**  
 P.O. Box 213671, Jumeirah, Dubai.  
 United Arab Emirates.  
 Tel: + 97 150 242 0048  
 Tel: + 91 941 666 6666  
 E-mail: [labo@labomicrosystems.com](mailto:labo@labomicrosystems.com)



**JAS-ANZ**

